

Product Specifications

PGA27 Large Diaphragm Side-Address Condenser Microphone

Overview

Designed with a tailored frequency response for superior reproduction, the PGA27 side-address condenser microphone features a large cardioid diaphragm, highly durable design and construction and a high SPL threshold for clearly capturing a wide variety of vocal, acoustic, and amplified sources. Versatile for use in both recording and live performance. Phantom power required.

Features

- Large diaphragm cartridge provides wider dynamic range for clear highs and strong lows
- Cardioid polar pattern picks up audio from the source while rejecting unwanted noise
- Updated industrial design with black metallic finish and grille for unobtrusive visual presence
- High-pass filter for additional control of unwanted low-end signal
- -15 dB switchable attenuator for additional SPL versatility
- Shock mount included for additional set-up stability and minimization of unwanted mechanical noise
- Padded zipper case included for additional protection during storage or transport
- Legendary Shure quality design and construction for exceptional performance in rigorous environments

Product Specifications

Type	Electret condenser
Frequency Response	20 to 20,000 Hz
Polar Pattern	Cardioid
Output Impedance	115 Ω
Sensitivity	-35 dBV/Pa (17.8 mV) at 1 kHz, open circuit voltage 1 Pa=94 dB SPL
Polarity	Positive pressure on diaphragm produces positive voltage on pin 2 with respect to pin 3
Weight	453 g
Connector	Three-pin professional audio (XLR), male
Operating Temperature	-29 to 74 °C
Operating Humidity	0 to 95% Relative



PGA27

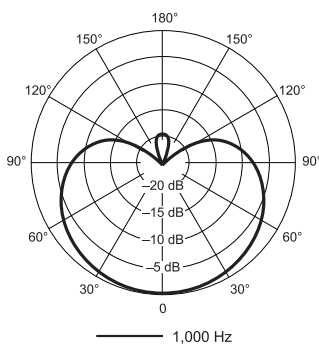
Available SKUs

PGA27-LC	Microphone, shock mount, stand adapter and pouch
----------	--

Accessories

A27SM	ShureLock® Rubber Isolated Shock Mount
PS-6	Popper Stopper® Pop Filter with Adjustable Gooseneck and Stand Clamp
A32WS	Black foam windscreen
31A1856	5/8" to 3/8" thread adapter
C25J	7.6 m XLR-to-XLR cable

Polar Pattern



Frequency Response

